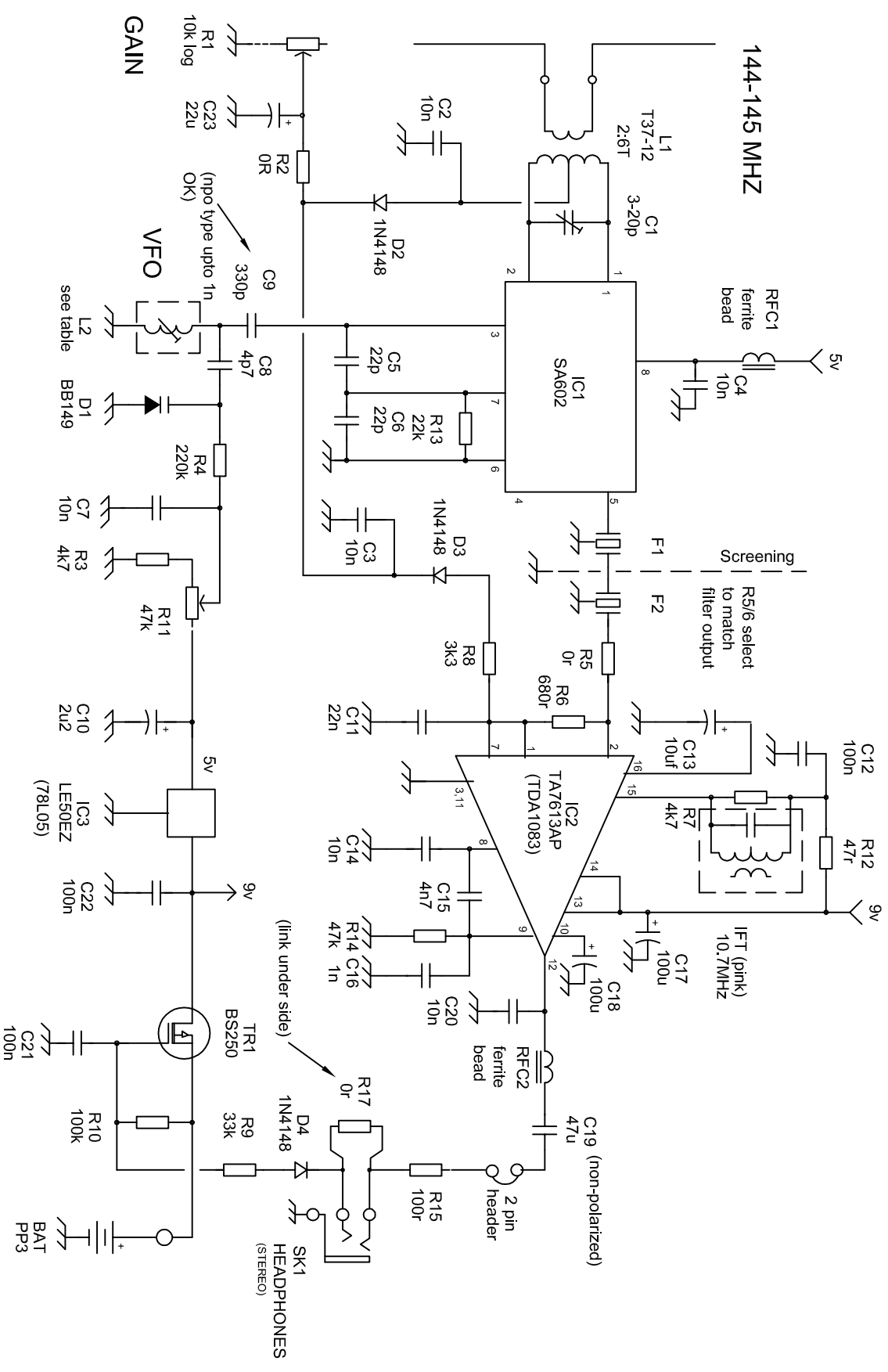


10.7MHz IF + AUDIO AMP



144-145 MHz

L2 = TOKO TYPE WITH GAN AND SLUG

TURNS	APPROX NH	VFO OFFSET	APPROX f MHz
2.5T	60	+ 10.7MHz	155
3.5T	80	- 10.7MHz	134

5V REGULATED SUPPLY

POWER SWITCH

ROX-2T by G3ZOI

(version 2 - 4"X1.5" PCB) © G3ZOI 2007-8

REV-C 16-6-2008