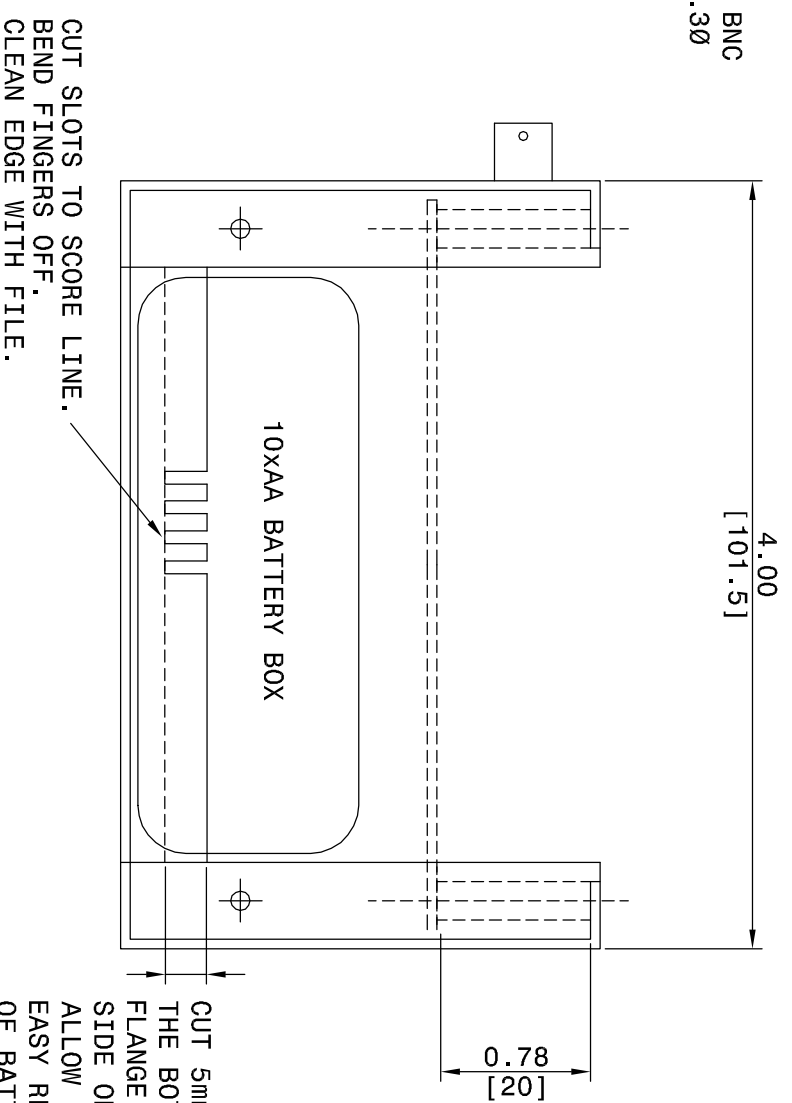
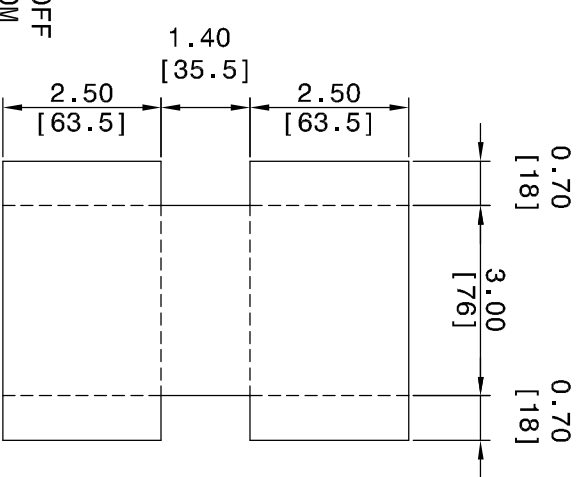


BASE PIECE FRONT



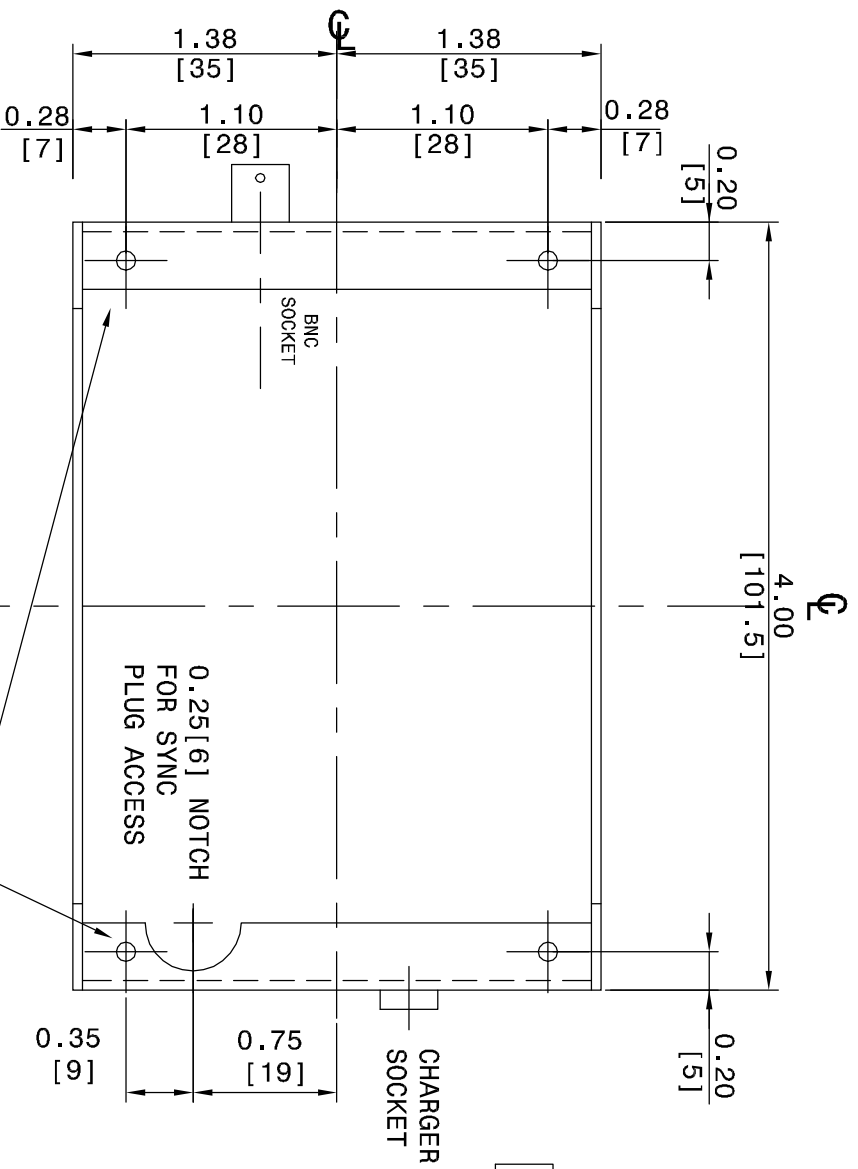
BASE PIECE SIDE

CUT 5mm OFF THE BOTTOM FLANGE. (ONE SIDE ONLY) TO ALLOW FOR EASY REMOVAL OF BATTERIES



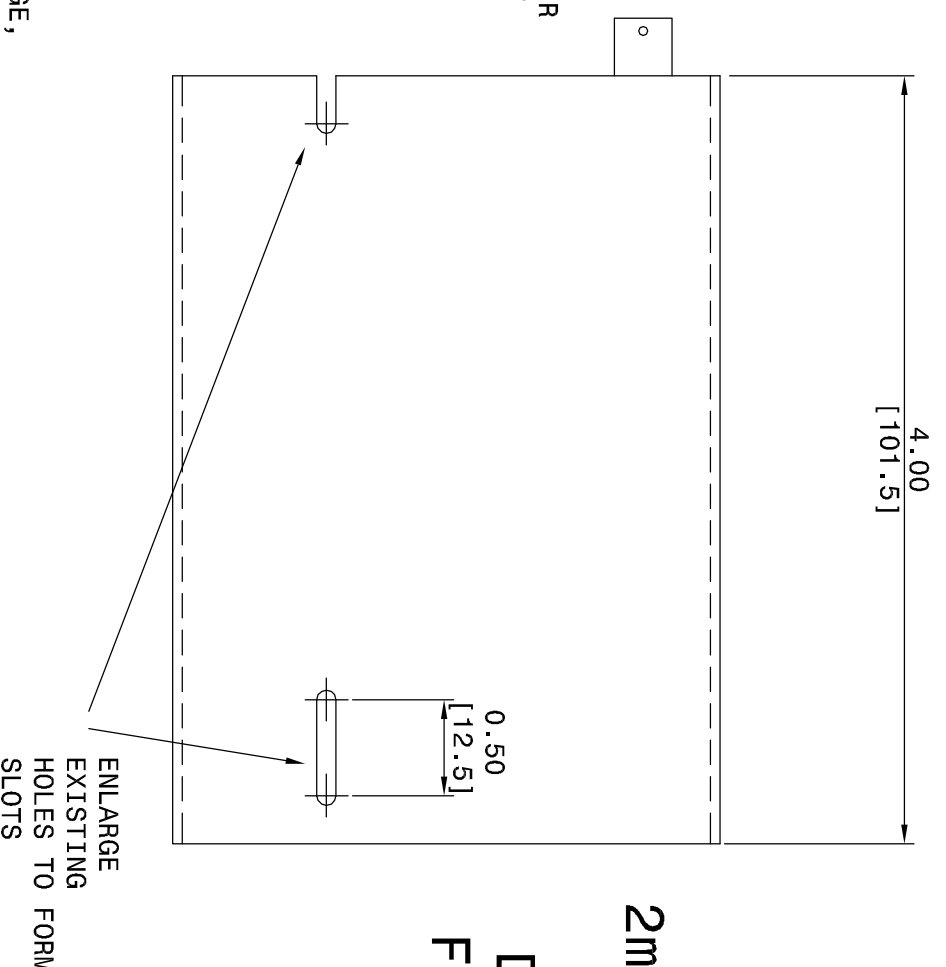
BATTERY BOX ENCLOSURE (not to scale)
CUT FROM SEMI-TRANSPARENT PLASTIC SHEET FROM AN A4 PLASTIC FOLDER COVER.

SCORE FOLD LINES ON ROUGH SIDE, WITH A BLUNT EDGE.



BASE PIECE PLAN

4No. COUNTERSUNK HOLES IN TOP FLANGE, FOR M3 SPACER (20mm LONG *)



TOP PIECE SIDE

**ON7YD ATX80
2m ARDF TRANSMITTER**

**DRILLING DETAILS
FOR TYPE AB28 BOX
by G3Z01**

